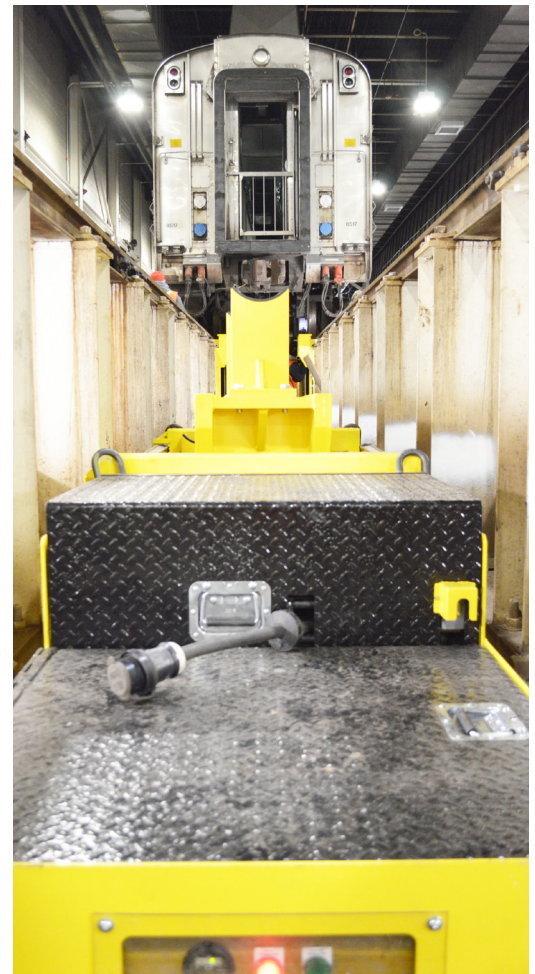
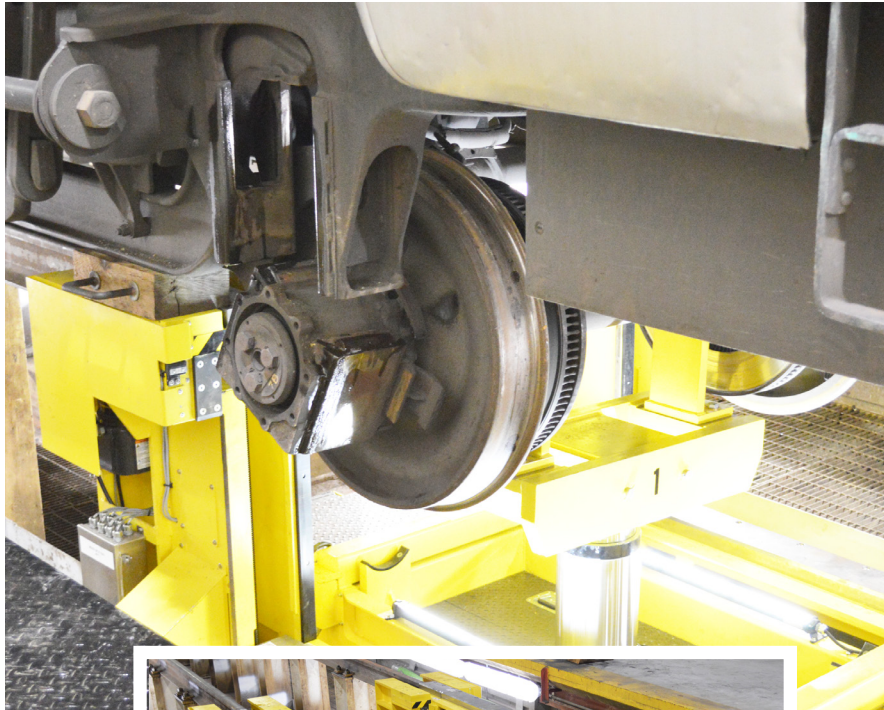




Split Rail Systems For Wheel Set Changeouts

From Conceptual Engineering to Installation & Service

Split Rail Systems for Wheel Set Changeouts



Split rail systems are employed within a rail facility's maintenance building and require the use of a raised rail track section. Split rail systems are designed to remove wheel sets from transit and freight car rail vehicles, offering an easy exchange method, due to the split rail's simple, ergonomic and efficient removal process.

The design of each split rail system will depend on the complexity of the removal process on each transit vehicle's manufacturers design and the facility's layout.

Our supplied battery powered lifting carts (hydraulic or screw lift) travel between the raised rails to assist in the removal procedure. This cart is remotely controlled by the operator. Once the wheel set is secured by the cart, the split rails lower (or opens) so the wheel set can be rolled onto either an elevating system or directly to the moveable dolly, where the wheel set is removed and exchanged. This simple process is reversed to apply the new wheel set.



ISO 9001:2015 Registered **Z299.2**



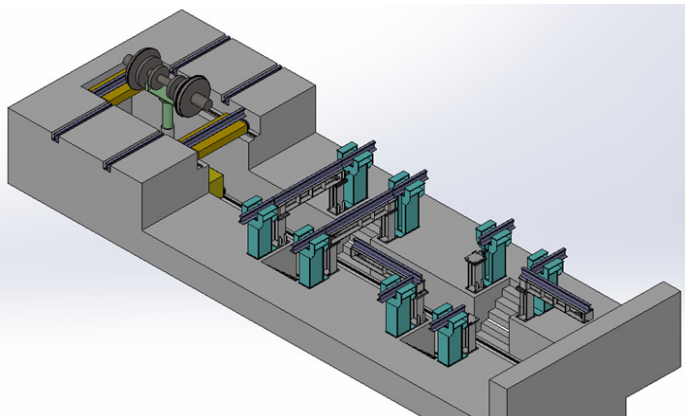
Split Rail Systems For Wheel Set Changeouts

Why Handling Specialty?

Based on your facility layout, we can design a system for your application, creating different systems with alternate features and layouts based on the specific application / facility / rail vehicle they will be used for. Currently there are four main designs of our past systems which are shown below.

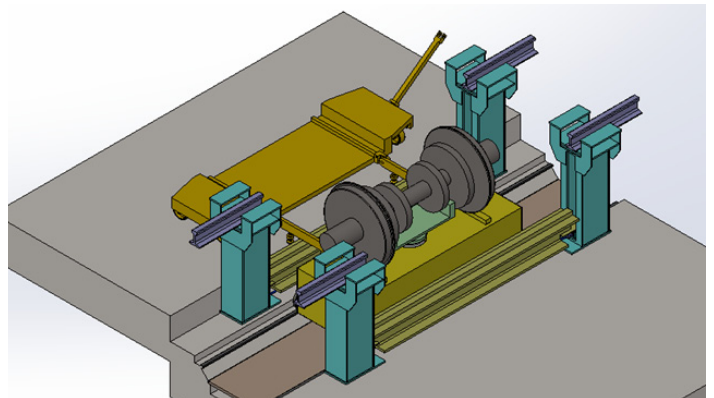
Model: PRSOL-TR

Position the cart Raise the cart arm. Support the rail vehicle. Open the rail Lower the Cart arm - Traverse the Cart. Raise the cart arm.



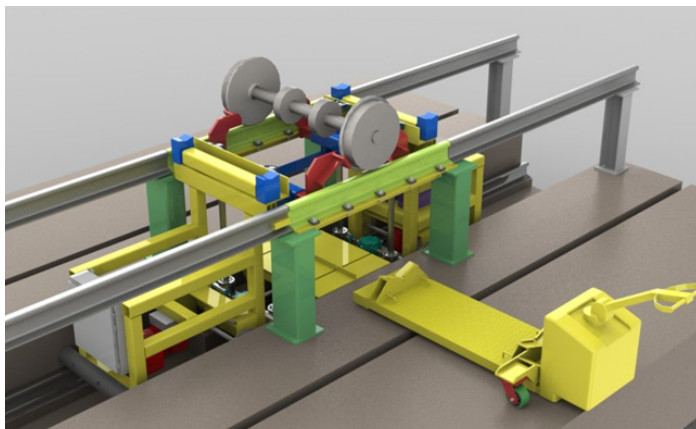
Model: PRSOL-TR

Position the cart Raise the cart arm. Support the rail vehicle. Open the rail Lower the Cart arm - Traverse the Cart. Raise the cart arm.



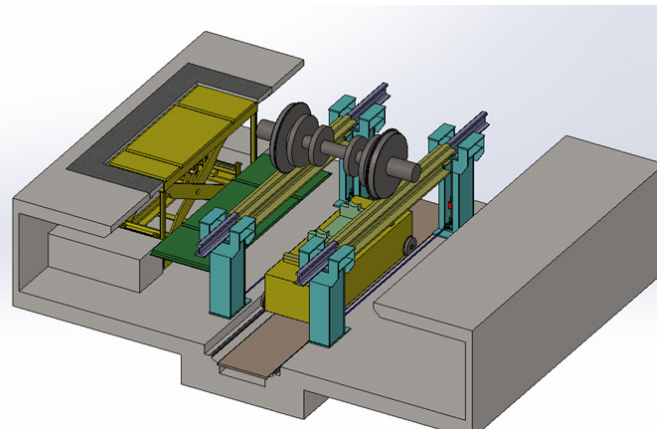
Model: PRSOL-IL

Position the cart. Raise the cart arms, engage cart arms to the wheels and raise. Support the rail vehicle. Open the rail. Lower the Cart arms. Insert the shop cart. Lower the cart arms / wheelset.



Model: PRSOL-RFR

Position the cart. Raise the cart arm. Support the rail vehicle. Open the rail. Lower the Cart arm. Rotate the cart arm. Flip the rail plates from the shop cart. Roll the wheelset onto the shop cart.



WE BUILD BIG THINGS TO HELP OUR CUSTOMERS BUILD BIG THINGS

