



# Portable Electric Jacks

**PREFERRED  
THROUGHOUT  
THE WORLD**



Reliability is carefully engineered into every Handling Specialty Portable Electric Jack. Outstanding design and top quality construction has provided years of dependable service with minimum maintenance.



Handling Specialty ensures production proven performance with all of our Portable Electric Jacks.



# Portable Electric Jacks



**SCREW & NUT**

## FEATURES

### Butress Thread

- The load screw in each Jack is a machined butress thread
- The butress thread has an inherent self-locking feature which makes them ideal for fitting applications
- No other manufacturer of jacks uses butress threads

### Screw In-Compression

- Our screw In-compression design eliminates possible breakage under load
- The worst case failure scenario of a screw In-compression design is general wear of the threads
- Other manufacturers differ by having their load screws in “tension”

### Self-Locking

- Handling Specialty’s jacks are self-locking in case of power failure

### Synchronization

- Handling’s hoist duty jack motors are all designed and tested to be synchronized to each other as matched sets to ensure that all jack screws are turning at the same speed
- This eliminates the need for expensive equipment to continuously monitor any variation in the turning speed and lifting height variations

### Electrical Components

- All electrical components are UL/CSA approved

### Motors

- Handling jack motors are not an “Off the shelf” item. They are specified heavy duty Class D hoist motors. This ensures dependable and long term usage of the equipment

### Controls

- Each jack can be operated individually or in sets

### Lifting Brackets

- Handling’s lifting brackets are not required to be lowered to the shop floor to engage their portable wheel moving system
- Lifting brackets can be modified to any configuration to suit the customer’s lifting application



**ELECTRICAL CONTROLS**



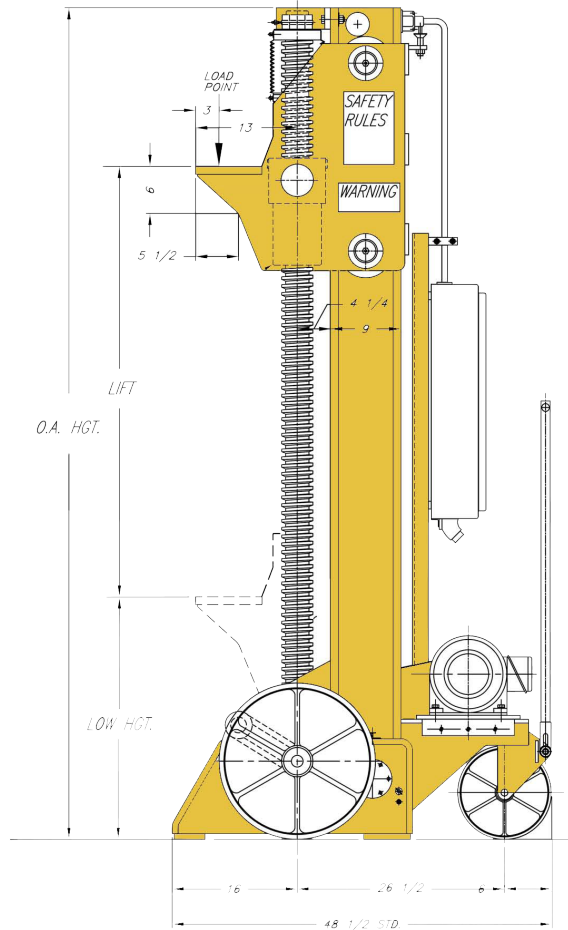
**LIFTING BRACKET**



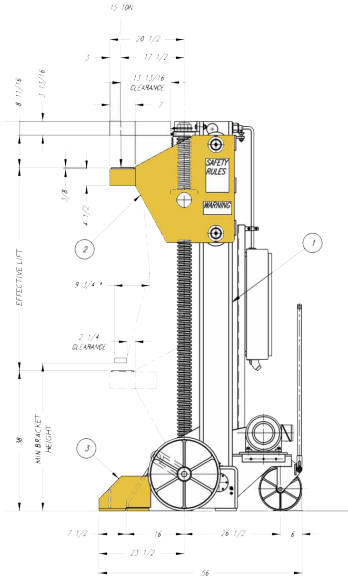


# Portable Electric Jacks

## STANDARD JACK DIMENSIONS (35 TON)



## OPTIONAL LIFTING BRACKET DESIGNS



The lifting bracket on our jacks can be modified to suit any application and required clearances to a railcar vehicle body.

## STANDARD JACK SPECIFICATIONS

MODEL	CAPACITY (metric ton)	HP (kw)	SPEED I.P.M. (mm/min)	EFFECTIVE LIFT (mm)	MINIMUM BRACKET HEIGHT (mm)	SCREW DIA (mm)	HEIGHT (mm)	WIDTH (mm)	LENGTH (mm)	WEIGHT (kg)
MA*	25 tons (22.5)	5 (3.73)	9"/min (229)	6' 0" (1828mm)	2' 7" (787)	3'15/16" (100)	10' 2-1/2" (3112)	3' 5-1/2" (1054)	4' 0-1/2" (1232)	2800 lbs (1270)
MA*	35 tons (31.5)	7.5 (5.59)	9"/min (229)	6' 0" (1828mm)	2' 7" (787)	3'15/16" (100)	10' 2-1/2" (3112)	3' 5-1/2" (1054)	4' 0-1/2" (1232)	2800 lbs (1270)
MB	50 tons (45)	12.5 (9.32)	8"/min (203)	6' 6" (1981mm)	2' 9" (838)	4'15/16" (125)	12' 1-7/8" (3731)	3' 5-1/2" (1054)	4' 5-7/8" (1368)	4700 lbs. (2132)
MC	60 tons (54)	15 (11.20)	8.5"/min (216)	5' 7" (1702mm)	2' 9" (838)	4'15/16" (125)	11' 6-7/8" (3528)	3' 5-1/2" (1054)	4' 6-3/8" (1381)	5000 lbs (2262)

\*Please note that the 25 and 35 Ton jacks also come in a standard MAL Model with a minimum bracket height of 2'-3" (686mm) instead of 2'-7" (787mm).



# Portable Electric Jacks

## OPTIONAL FEATURES

The following optional features for all Handling Specialty models of Portable Electric Jack sets. They can be factory installed or purchased at a later date in kit form.

**Zero Speed Shutdown System** - Automatically shuts down all the jacks in a set if one jack screw stops turning. The addition of this feature will prevent a Jack set from becoming unequal due to a failure in the drive train.

**Upper Overtravel Limit Switch** - Prevents overtravel of the lifting bracket in the event of failure of the operating upper limit switch. Provides a means for eliminating the danger of damage to a jack or a raised vehicle should the operating Upper travel limit switch malfunction at the top of the lifting bracket's allowable travel.

**Nut Wear Indicator and Follower Nut** - Automatically shuts down all the jacks in a set if one jack nut wears beyond its usable life. This dual purpose system allows unseen wear of jack nut threads to be monitored visually and electronically. The follower nut also serves as a safety back up.

**Automatic Nut Lubricator** - Automatically applies small amounts of lubricant to the lifting screws and nuts, eliminating the problems of over and under greasing of lifting screws and nuts.

## ADDITIONAL OFFERED SERVICES

**Leasing and Renting** - Handling Specialty offers short term renting and long term leasing of our jack equipment. Call for details

**Inspection and Maintenance** - Yearly inspection and maintenance services on used jack equipment are also available

**Rebuilding** - We offer complete tear down, full inspection and rebuilding services on any used jack equipment.

